

Instructions for Use
ALVESCO® [æi-ˈves-kou]
(ciclesonide)
Inhalation Aerosol

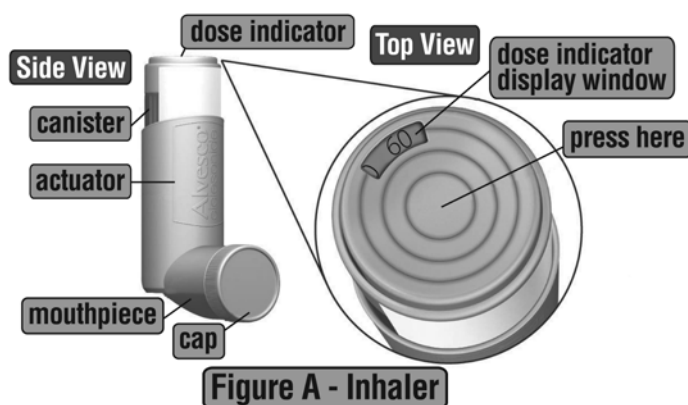
Read this Instructions for Use for ALVESCO Inhalation Aerosol before you start using it and each time you get a refill. There may be new information. This leaflet does not take the place of talking to your healthcare provider about your medical condition or treatment.

Note: For Oral Inhalation Only

Do not use your ALVESCO Inhalation Aerosol near heat or an open flame.

The parts of your ALVESCO Inhalation Aerosol

ALVESCO Inhalation Aerosol comes as a canister that fits into an actuator with a dose indicator. **Do not** use the actuator with a canister of medicine from any other inhaler. **Do not** use ALVESCO Inhalation Aerosol canister with an actuator from any other inhaler. (See **Figure A**)



Priming your ALVESCO Inhalation Aerosol for use

- Remove your ALVESCO Inhalation Aerosol from its package.
- **Before you use ALVESCO Inhalation Aerosol for the first time** or if you have not used your medicine for 10 days in a row, you will need to prime your ALVESCO Inhalation Aerosol unit.
- Remove the plastic cap. Look at the dose indicator on top of the inhaler. Make sure that the dose indicator display window pointer is before the "60" inhalation mark before you use your ALVESCO Inhalation Aerosol for the first time.
- Hold the actuator upright. Spray 3 times into the air away from the face, by pressing down fully onto the center of the dose indicator button. (See **Figure B**)

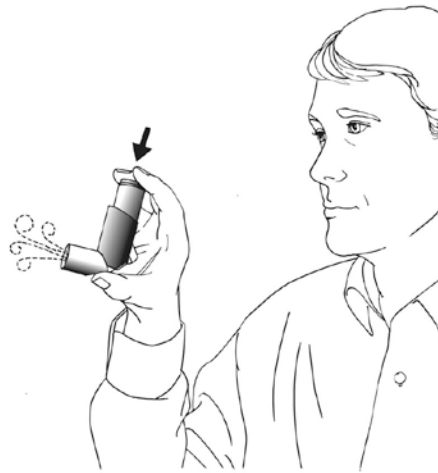


Figure B

- Check the dose indicator display window after the priming sprays and before the first use to make sure it shows that there are 60 sprays left in your ALVESCO Inhalation Aerosol unit. If there are not 60 sprays left in your ALVESCO Inhalation Aerosol after the first use priming spray, return it to the pharmacy.
- Make sure the canister is firmly placed in the mouthpiece each time you use your ALVESCO Inhalation Aerosol.
- You do not need to shake your ALVESCO Inhalation Aerosol unit before you use it.

Using Your ALVESCO Inhalation Aerosol

Step 1. Remove the cap from the mouthpiece. (See **Figure C**)

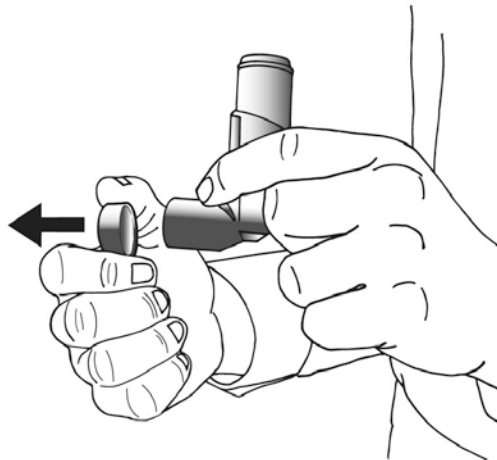


Figure C

Step 2. Hold the actuator upright, between your thumb, forefinger, and middle finger with the mouthpiece pointing towards you. (See **Figure D**)

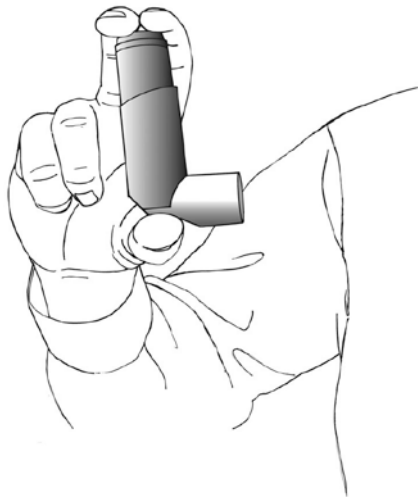


Figure D

Step 3. Breathe out as fully as you comfortably can. Close your lips around the mouthpiece, keeping your tongue below it. (See **Figure E**)



Figure E

Step 4.

- While breathing in deeply and slowly, press down on the center of the dose indicator with your finger. Press down fully on the canister until it stops moving in the actuator while delivering your dose.
- When you have finished breathing in, hold your breath for about 10 seconds, or for as long as is comfortable.
- Note: It is normal to hear a soft click from the indicator as it counts down during use.

Step 5.

Take your finger completely off the center of the dose indicator and remove the inhaler from your mouth. Breathe out gently. (See **Figure F**)



Figure F

Step 6. Replace the cap to keep the mouthpiece clean.

Step 7. Rinse your mouth with water and spit it out. **Do not** swallow.

Cleaning your ALVESCO Inhalation Aerosol unit

- Clean the mouthpiece weekly with a clean dry tissue, both inside and out. (See **Figure G**)

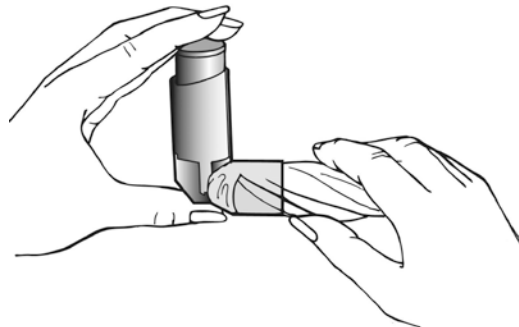


Figure G

- Wipe over the front of the small hole where the medicine comes out with a dry, folded tissue. (See **Figure H**)

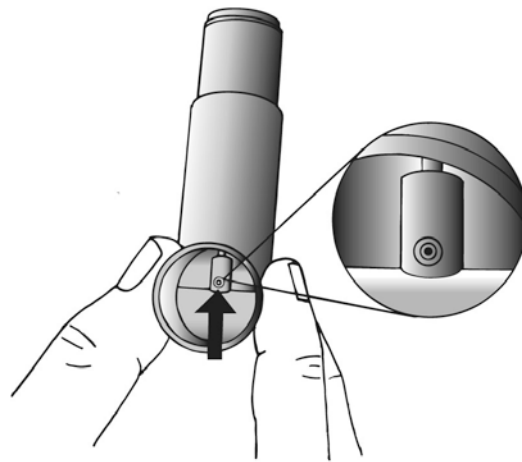


Figure H

- Do not wash or put any part of your ALVESCO Inhalation Aerosol unit in water or any other liquids.

How to tell if your ALVESCO Inhalation Aerosol canister is empty

- Your ALVESCO Inhalation Aerosol unit is fitted with a dose indicator display which shows you how much of your medicine is left after each use.
- Each canister of ALVESCO Inhalation Aerosol contains enough medicine for you to spray your medicine 60 times. This does not count the first sprays used for priming.
- The dose indicator display counts down by 10 and will move every tenth time you take a puff (i.e., 60-50-40, etc.).
- The dose indicator display window will turn red when there are only 20 sprays left. This means that you need to replace your inhaler soon.
- When the dose indicator display window reads "0" you should throw away your ALVESCO Inhalation Aerosol unit. (See **Figure I**)

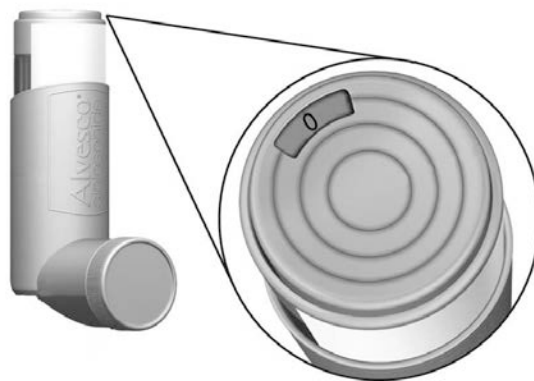


Figure I

- Although your ALVESCO Inhalation Aerosol unit is fitted with a dose indicator display to help determine the number of sprays left, you should keep track of the number of sprays used from each canister of your ALVESCO Inhalation Aerosol unit.

This PPI and Instructions for Use has been approved by the U.S. Food and Drug Administration.

Manufactured for:

Sunovion Pharmaceuticals Inc.

Marlborough, MA 01752 USA

Made in the United Kingdom

ALVESCO is a registered trademark of Takeda GmbH and is used under license.

©2013 Sunovion Pharmaceuticals Inc. and Takeda GmbH. All rights reserved.

Revised January 2013

901139R06